

## » 規格

Peach-E73 主要規格如下

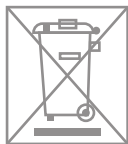
Peach-E73	
顯示區域	7.3"
解析度	800 x 480
顯示技術	電子紙 (EPD)
外型尺寸 (mm)	186.1 (L) x 133.1 (W) x 19.5 (D)
無線技術	IEEE 802.11b/g/n (2.4GHz Wi Fi, Bluetooth 5 (LE))
連接器	USB Type C
LED 指示燈	2 colors (藍, 紅)
按鍵	Power, Bluetooth, Reset
電池	6 x AAA (電池不包含在產品及配件中)
顯示顏色	黑白紅黃
畫面更新時間	18 sec (25°C typ.)
推薦使用溫度	15°C ~ 35°C
儲存溫度	-20°C ~ 60°C

### ▲ 注意：

- ① 本產品需要搭配電腦主機或伺服器控制，並傳送圖形資料方能正確顯示畫面。
- ② 本器材須經專業工程人員安裝及設定，始得設置使用，且不得直接販售給一般消費者。
- ③ 本產品正常工作時需與人體距離20公分以上。

根據 NCC LP0002低功率射頻器材技術規範\_章節3.8.2：

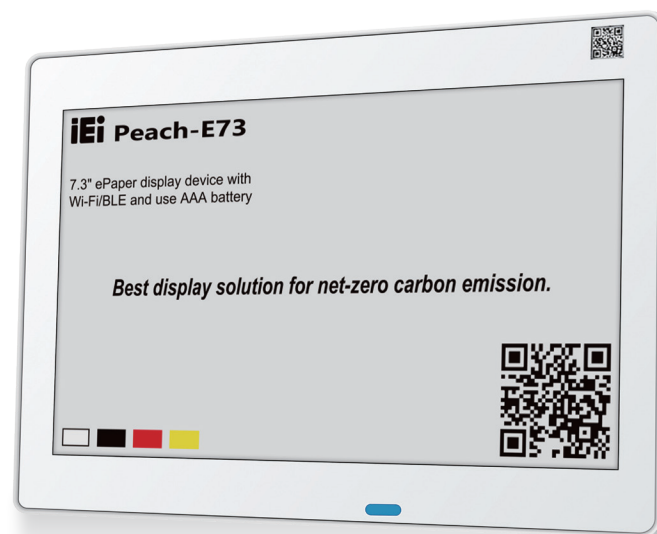
- 取得審驗證明之低功率射頻器材，非經核准，公司、商號或使用者均不得擅自變更頻率、加大功率或變更原設計之特性及功能。
- 低功率射頻器材之使用不得影響飛航安全及干擾合法通信；經發現有干擾現象時，應立即停用，並改善至無干擾時方得繼續使用。
- 前述合法通信，指依電信管理法規定作業之無線電通信。
- 低功率射頻器材須忍受合法通信或工業、科學及醫療用電波輻射性電機設備之干擾。
- 使用過度恐傷害視力：
  - ① 使用30分鐘請休息10分鐘。
  - ② 未滿2歲幼兒不看螢幕，2歲以上每天看螢幕不要超過1小時。依據哈佛公衛學院研究，電子紙對眼睛的健康程度是LCD螢幕的三倍。



EU-wide legislation, as implemented in each Member State, requires that waste electrical and electronic products carrying the mark (left) must be disposed of separately from normal household waste. This includes monitors and electrical accessories, such as signal cables or power cords. When you need to dispose of your display products, please follow the guidance of your local authority, or ask the shop where you purchased the product. The mark on electrical and electronic products only applies to the current European Union Member States. Please follow the national guidelines for electrical and electronic product disposal.

# Peach-E73

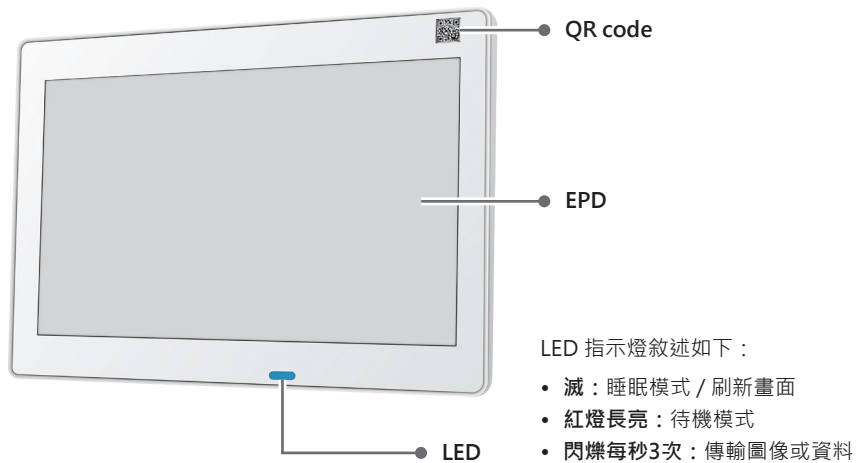
## IEI® 快速使用指南 (UART mode)



請先於 I EI Integration Corp. 官網  
下載詳細使用說明書及 ditherPrint PC App

## » 正面

本產品正面為黑白紅黃四色電子紙顯示器。本產品正面亦有雙色 LED 指示燈及 QR code，QR code 內容為機器的 MAC 位址，MAC 位址每台機器皆不同。



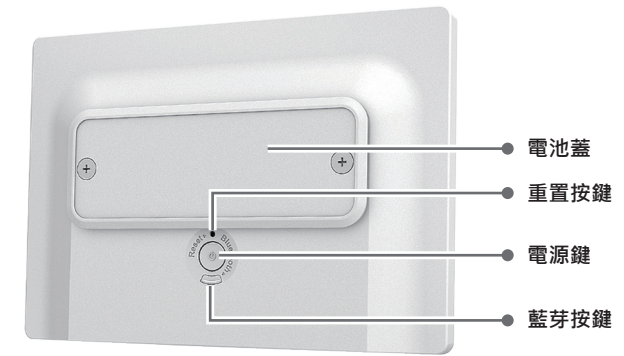
**⚠ 注意：**  
長時間在睡眠模式下，每24小時會自動刷新一次相同畫面以維持畫面顏色品質。僅純白畫面不會自動刷新。

## » 背面

產品背面有電池蓋以及三個按鍵。  
三個按鍵分別敘述如下：

按鍵	說明
電源鍵	短按：將 Peach-E73 從睡眠模式喚醒 * 長按 3 秒：停止更新畫面並進入睡眠模式 長按 10 秒：回復原廠設定 (注意！所有設定都將回復為出廠狀態)
藍芽按鍵	短按：切換成 Wi-Fi mode 並啟動藍芽連線
重置按鍵	短按：重新啟動 (不變更設定)

\* 當機器閒置超過15秒，將自動進入睡眠模式。



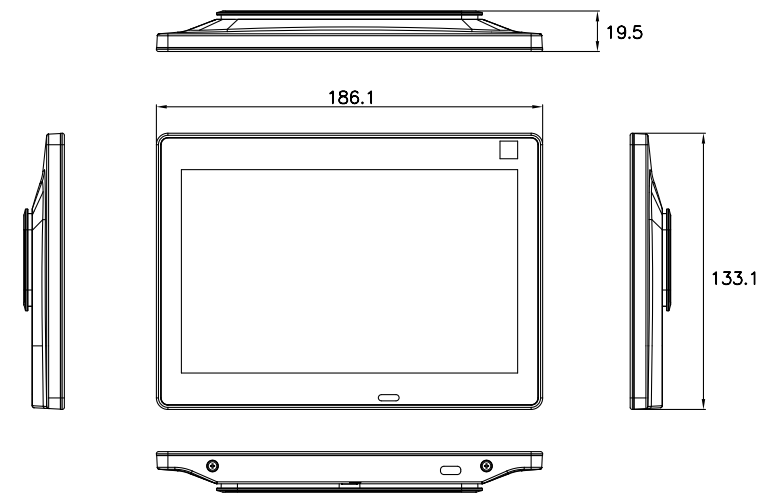
## » 底部

Peach-E73 產品底部有 USB Type-C 可連接電腦供電或傳輸資料。  
請參考 IEL ditherPrint 軟體使用說明書。



## » 尺寸 (millimeters)

產品尺寸如下：



## » Specifications

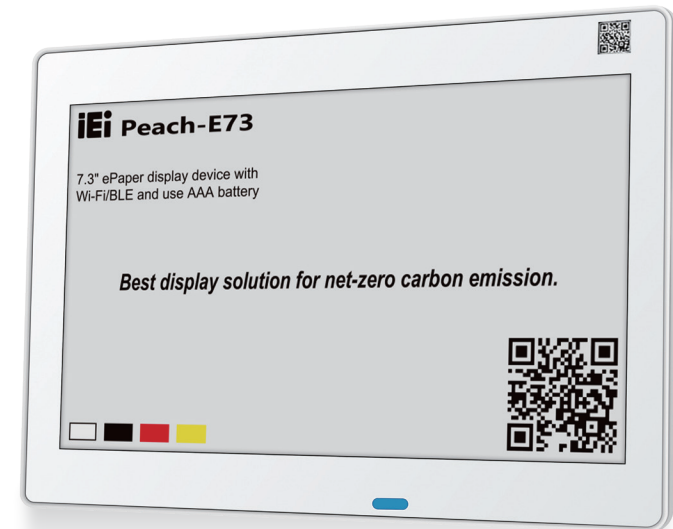
The technical specifications for the Peach-E73 are listed below.

Peach-E73	
Active Area	7.3"
Resolution	800 x 480
Display Type	Electrophoretic displays (EPD)
Dimension (mm)	186.1 (L) x 133.1 (W) x 19.5 (D)
Wireless	IEEE 802.11b/g/n (2.4GHz Wi Fi) Bluetooth 5 (LE)
Connector	USB Type C
LED	2 colors (blue, red)
Buttons	Power, Bluetooth, Reset
Battery	6 x AAA (not included in the product)
Display Colors	BWRY
Image Update Time	18 sec (25°C typ.)
Best Optic Temperature Range	15°C ~ 35°C
Storage Temperature	-20°C ~ 60°C

# Peach-E73



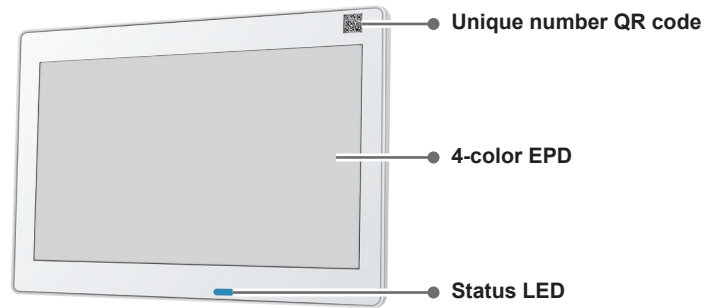
## Quick Start Guide (UART mode)



Please download the full version user manual and ditherPrint PC app on the IEl Integration Corp. website.

## » Front Panel

The front panel of the Peach-E73 is a 4-color screen using Electrophoretic displays (EPD) technology. On the front panel, you can also find the status LED and the QR code that has the device's Unique number.



The description of the Red LED indicator is listed below.

- **Off:** deep sleep / image display (print or slideshow)
- **Solid Red:** Standby
- **Blink 3 times/sec:** image or firmware transfer

### ▲ NOTE:

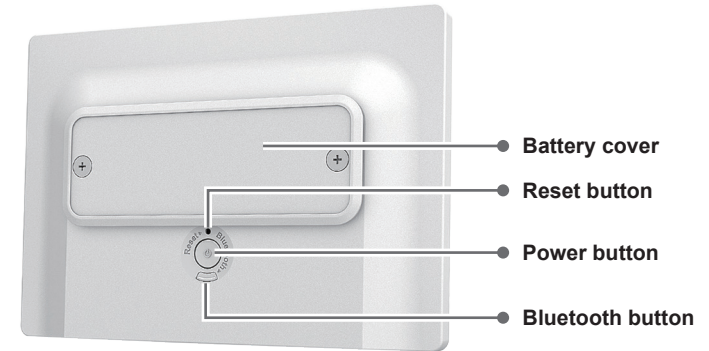
The image will be refreshed every 24 hours automatically when the device is in deep sleep mode. It is to maintain the image quality. There will be no refresh if the image is full white.

## » Rear Panel

The rear panel contains a battery cover, and three buttons with different functions described below.

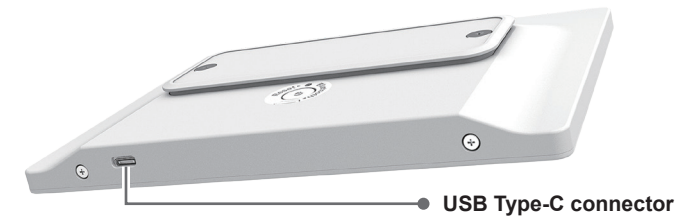
Buttons	Description
<b>Power button</b>	<b>Short press:</b> wake up Peach-E73 from deep sleep mode* <b>Long press 3 sec.:</b> stop slideshow in USB mode and go to deep sleep mode <b>Long press 10 sec.:</b> factory reset (Caution! All settings and data will revert to factory default)
<b>Bluetooth button</b>	<b>Short press:</b> switch to Wi-Fi mode
<b>Reset button</b>	<b>Short press:</b> reboot Peach-E73 from any status (all settings and data will remain unchanged after reset)

\* When provided with battery/USB power and set with no slideshow, the Peach E73 will go into deep sleep mode after pending for 15 sec.



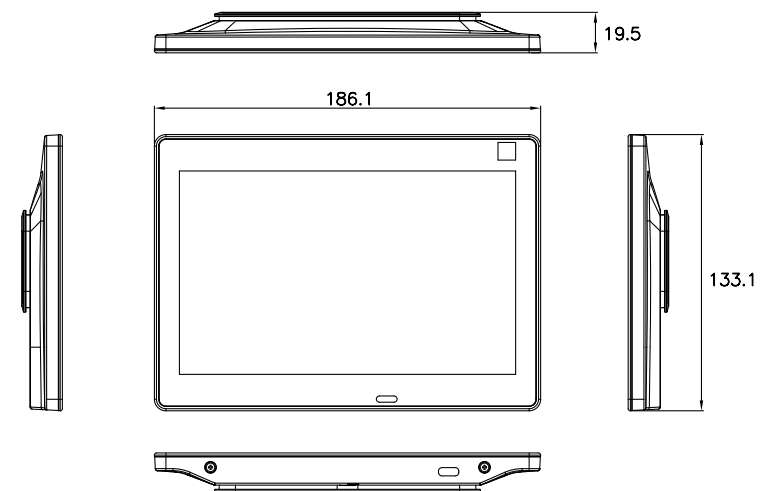
## » Bottom Panel

The bottom panel of the Peach-E73 has a USB Type-C connector to connect with a power source or a PC for image display setup. Refer to the ditherPrint user manual for how to setup display image.



## » Dimensions (millimeters)

The physical dimensions are shown below:



Federal Communications Commission (FCC) Statement  
15.105(b)

This equipment has been tested and found to comply with the limits for a Class B digital device, pursuant to part 15 of the FCC rules. These limits are designed to provide reasonable protection against harmful interference in a residential installation.

This equipment generates, uses and can radiate radio frequency energy and, if not installed and used in accordance with the instructions, may cause harmful interference to radio communications. However, there is no guarantee that interference will not occur in a particular installation. If this equipment does cause harmful interference to radio or television reception, which can be determined by turning the equipment off and on, the user is encouraged to try to correct the interference by one or more of the following measures:

- Reorient or relocate the receiving antenna.
- Increase the separation between the equipment and receiver.
- Connect the equipment into an outlet on a circuit different from that to which the receiver is connected.
- Consult the dealer or an experienced radio/TV technician for help.

15.21

You are cautioned that changes or modifications not expressly approved by the part responsible for compliance could void the user's authority to operate the equipment.

FCC RF Radiation Exposure Statement:

This Transmitter must not be co-located or operating in conjunction with any other antenna or transmitter.

This equipment complies with RF radiation exposure limits set forth for an uncontrolled environment. This equipment should be installed and operated with a minimum distance of 20 cm between the radiator and your body.

This device complies with Part 15 of the FCC Rules.

Operation is subject to the following two conditions:

- 1) this device may not cause harmful interference and
- 2) this device must accept any interference received, including interference that may cause undesired operation.

This device contains licence-exempt transmitter(s)/receiver(s) that comply with Innovation, Science and Economic Development Canada's licence-exempt RSS(s). Operation is subject to the following two conditions:

This device may not cause interference, and

This device must accept any interference, including interference that may cause undesired operation of the device.

L'émetteur/récepteur exempt de licence contenu dans le présent appareil est conforme aux CNR d'Innovation, Sciences et Développement économique Canada applicables aux appareils radio exempts de licence. L'exploitation est autorisée aux deux conditions suivantes :  
l'appareil ne doit pas produire de brouillage, et  
l'utilisateur de l'appareil doit accepter tout brouillage radioélectrique subi, même si le brouillage est susceptible d'en compromettre le fonctionnement.

Caution: Exposure to Radio Frequency Radiation

To comply with the Canadian RF exposure compliance requirements, this device and its antenna must not be co-located or operating in conjunction with any other antenna or transmitter.

Attention: exposition au rayonnement radiofréquence

Pour se conformer aux exigences de conformité RF canadienne l'exposition, cet appareil et son antenne ne doivent pas être co-localisés ou fonctionnant en conjonction avec une autre antenne ou transmetteur.

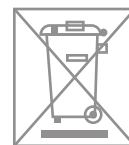
To comply with RSS 102 RF exposure compliance requirements, a separation distance of at least 20 cm must be maintained between the antenna of this device and all persons.

Pour se conformer aux exigences de conformité CNR 102 RF exposition, une distance de séparation d'au moins 20 cm doit être maintenue entre l'antenne de cet appareil et toutes les personnes.

**⚠ CAUTION:**

1. Image display requires and depends on a host system to provide images and manage them.
2. The Peach-E73 must be installed and operated only by trained and qualified personnel. Maintenance, upgrades, or repairs may only be carried out by qualified personnel who are familiar with the associated dangers.
3. The distance between the product and the human body is more than 20cm.

- Outside the European Union If you wish to dispose of used electrical and electronic products outside the European Union, please contact your local authority so as to comply with the correct disposal method.
- Within the European Union The device that produces less waste and is easier to recycle is classified as electronic device in terms of the European Directive 2012/19/EU (WEEE), and must not be disposed of as domestic garbage.



EU-wide legislation, as implemented in each Member State, requires that waste electrical and electronic products carrying the mark (left) must be disposed of separately from normal household waste. This includes monitors and electrical accessories, such as signal cables or power cords. When you need to dispose of your display products, please follow the guidance of your local authority, or ask the shop where you purchased the product. The mark on electrical and electronic products only applies to the current European Union Member States. Please follow the national guidelines for electrical and electronic product disposal.